



Zilla® Double Stud XL Flashing

Installation on Skip Sheathed Roofs

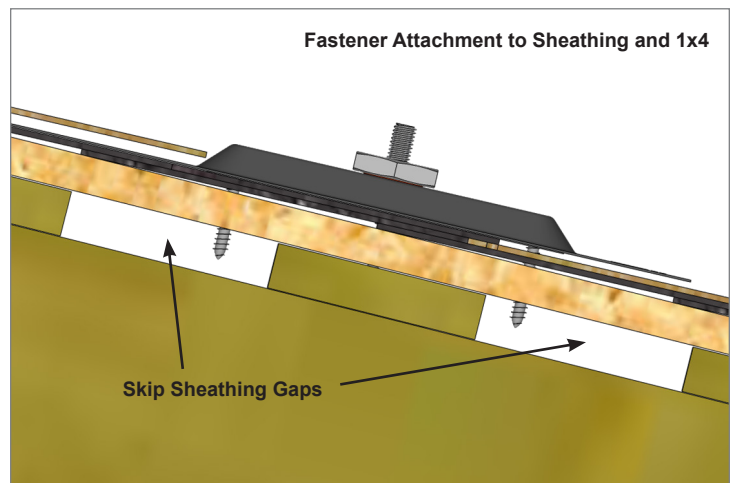
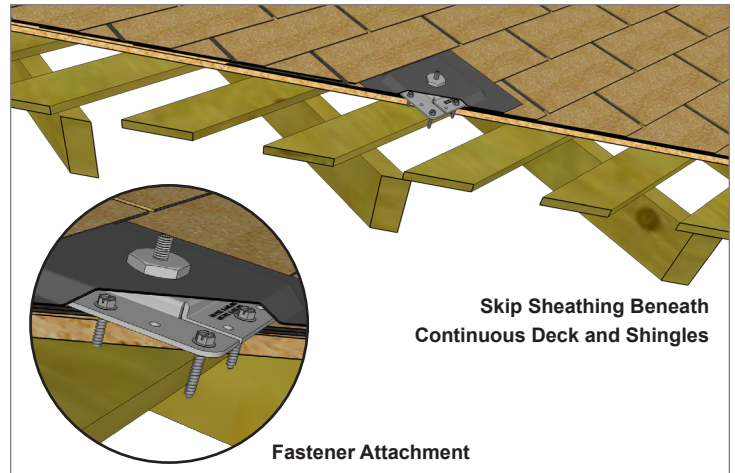
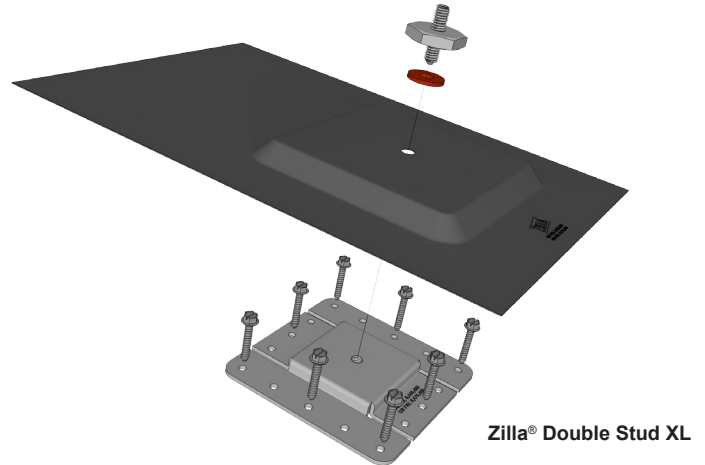
A Simple Solution Without Compromise

Skip Sheathing is a type of roof construction where 1x4 boards are run perpendicular to the rafters to create the roof deck. The 1x4s are spaced at roughly four inches, essentially skipping every other board. Virtually every wood or shake shingle roof is done in this manner. It is now common practice to replace aged wood or shake shingle roofs with asphalt shingles. Typically plywood sheathing or OSB is applied over the top of the skip sheathing to create a continuous deck surface for shingle attachment.

This construction makes solar installation difficult for installers trying to attach to rafters. Locations between 1x4s will have a gap between the roof deck and the rafter making for a questionable connection. The 1x4s can also potentially fool an installer into thinking he has located the structural member when they are actually only locating a 1x4. Again, the connection will not provide the designed strength.

The Zilla® Double Stud XL not only eliminates the issues described above, it actually performs far better than shown in the standard design tables based on sheathing only attachment. The 6"x6" baseplate ensures that at least two of the fasteners will attach into both sheathing and 1x4 material. The 1x4s also provide substantial reinforcement for the sheathing. These factors will translate into performance far better than shown in the span tables.

Use the Zilla® Double Stud XL to eliminate the complexities created by skip sheathing and create a strong, waterproof connection that installs in seconds.



Zilla® So Simple It's ScarySM

77 Waneka Pkwy • Lafayette, CO 80026 • 720.880.6700 • fax 303.655.0379 • zillarac.com

MADE IN USA MADE WITH RECYCLED MATERIAL © 2016 Zilla Corporation. All rights reserved.