



Zilla® Top Clip

Row to Row Grounding Installation Guide

PATENT PENDING

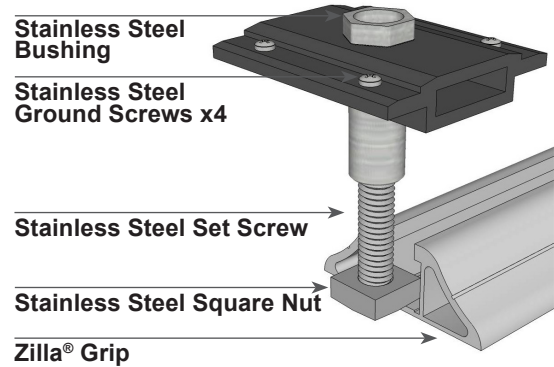
Row to Row grounding in virtually any system

Parts included in the Row to Row Grounding Kit (ZTRG0250-AS):

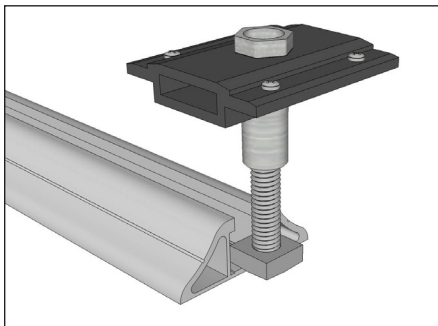
- Zilla® Top Clip assembly, Stainless Steel & Aluminum (ZTC-AL)
- 5/16"-18 x2.0" Set Bolt, Stainless Steel, cup point (ZAT0516-0200 SS)
- 5/16"-18 Square Nut, Stainless Steel (NUT0516SQR SS)
- Zilla® Grip, 6" length, Aluminum (ZG-006 MF)

Parts & Tools needed (in addition to the kit):

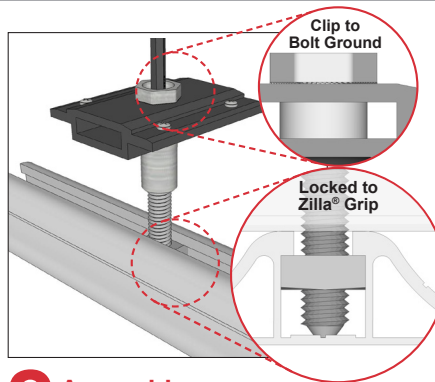
- Zilla® Rail set or other 5/16"-18 threaded hardware
- Torque wrench (5/32") and 9/16" socket to fit 3/8" hardware



Installation Steps

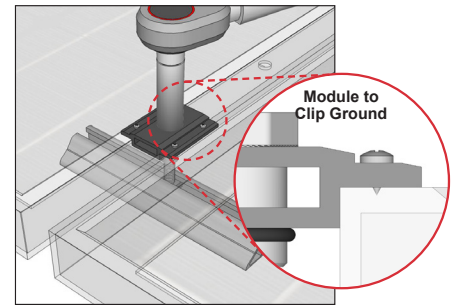


1 Thread
Set Bolt into Square Nut and slide into slot of Zilla® Grip from either end. Thread Zilla® Top Clip onto Set Bolt via the Stainless Steel bushing.



2 Assemble
Loosen Set Bolt if needed. Slide Zilla® Top Clip Row to Row Grounding assembly to center of the Zilla® Grip and tighten the Set Bolt to 6-7 ft-lbs using a 5/32" Allen wrench to lock into place.

TIP: Spin Bushing on the Top Clip to accommodate the module thickness.



3 Finish
Locate parallel grounded rows. Slip Row to Row Grounding assembly between two modules on separate rows, spaced 1" apart. While holding the Zilla® Grip firmly against and perpendicular to the shared module frames, engage the Zilla® Top Clip using a 9/16" socket. Align the Zilla® Top Clip to rest firmly within the trough between both modules ensuring both vertical faces are in full contact.

With the modules flush against the Zilla® Grip and snugly pinching the Top Clip, tighten the bushing of the Top Clip to 13 ft-lbs using a 9/16" socket. This forces the Stainless Steel Grounding Screws to penetrate into the frame of both modules creating an electrical ground up to 650 Amps between both modules through the aluminum body of the Top Clip.

TIP: Adjust module spacing between rows if vertical faces are not flush against Zilla® Top Clip during installation.



Zilla® So Simple It's ScarySM

77 Waneka Pkwy • Lafayette • CO 80026 • 720.880.6700 • fax 303.655.0379 • zillarac.com

MADE IN USA MADE WITH RECYCLED MATERIAL © 2015 Zilla Corporation. All rights reserved.