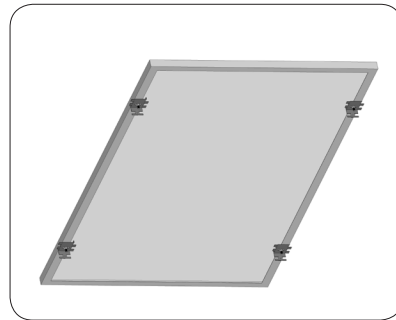
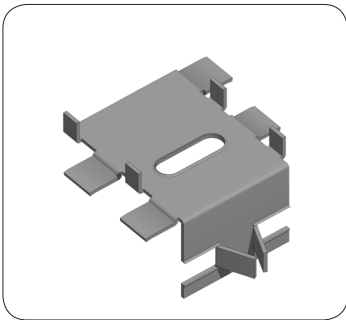
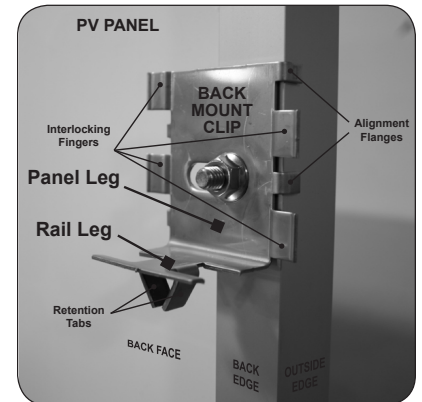
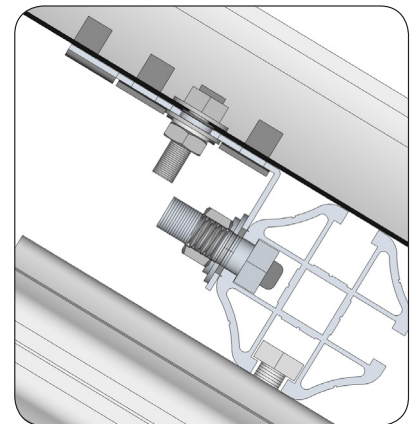


Zilla® Back Clip

First of its kind, the Zilla® Back Clip is simple in design, but revolutionary in function. Reducing time spent on roof and creating a safer work environment, the back clip makes installations a snap, lowering labor costs. The clip features interlocking fingers which allow for side-to-side installation with minimal (1/16") gaps between the panels. The Zilla® Back Clip design has grounding built in, thus eliminating the need for grounding lugs, bolts, or copper wires.

- Revolutionary grounding and fastening in one
- Works with most standard aluminum panels
- Doesn't place pressure on top of panel, minimizing risk of panel failure
- Creates a safer work environment by cutting time spent on roof
- Extremely secure by incorporating a mechanical attachment
- Gravity guided to allow simple drop and slide installation
- Can be mounted on any pitch
- Eliminates space between panels, for seamless appearance
- Self aligning
- Interlocking fingers allow secure installation
- Shape of clip catches the racking preventing the panel from sliding off
- Sharp edges on the clip grip into the panel and rack, grounding it
- Eliminates the need for copper wires and grounding lugs or bolts
- Clips can be attached to panels prior to being on roof



Zilla® Back Clip component set includes: Back Clip, 5/16"-18 x 3/4" standard hex stainless steel bolt, 5/16"-18 serrated flange hex locknut, 5/16" flat washer, 3/8"-16 x 1" standard hex stainless steel bolt, and a 3/8"-16 serrated flange hex locknut.

Product Number	Description	Materials	Size	Weight	Finish	# Per Package
ZBC-SS	Zilla® Back Clip	Stainless Steel	16gauge (.060")	<1 lb.	Mill	1



77 Waneka Parkway, Lafayette, CO 80026
 720.880.6700 | 855.670.1212
www.zillarc.com