



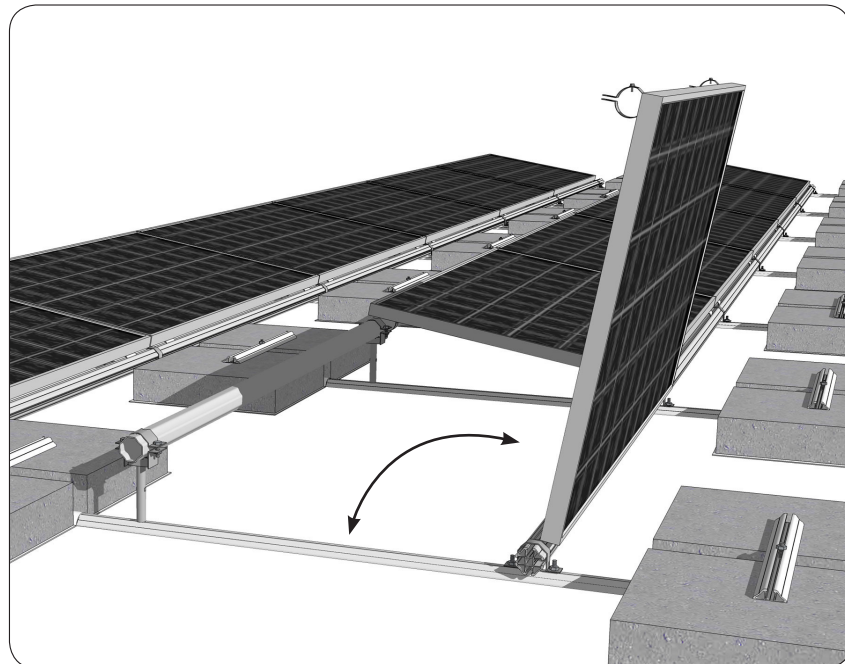
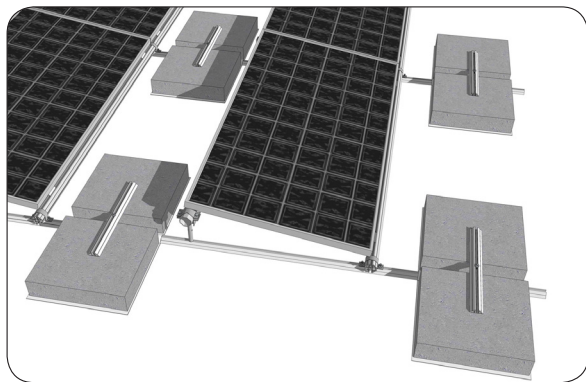
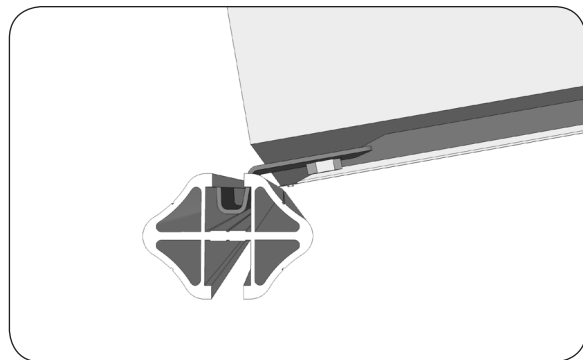
RED³™

redefining | redesigning | redirecting the world of solar

Tilted Ballast System (TBS)

Zilla®'s TBS series is used on flat or slightly angled roof surfaces. Engineered to meet infinite tilt angle options, while eliminating penetrations of the roofing membrane. Engineered for all wind and climate zones ranging from mid-size to utility scale systems. Capable of dispersing point loads utilizing ballast only. Incorporates locally supplied ballast materials to reduce shipping costs.

- No bolts - drop in panel - for fast installation
- Tilt-up feature enables easy wiring, maintenance & roof access
- Available in 0° - 80° angle increments
- Can be tilted to access back of panel
- Capable of utility scale PV installations
- Roof barrier & fire access issues easily solved
- Several quick & easy grounding options available
- Field adjustable for uneven surfaces



77 Waneka Parkway, Lafayette, CO 80026
720.880.6700 | 855.670.1212
www.zillarac.com