

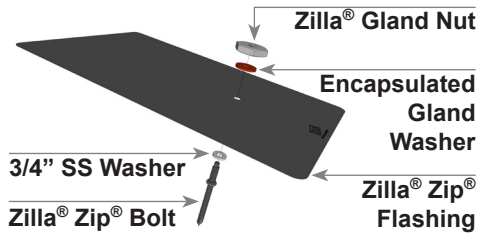


Zilla® Zip® Flashing Assembly

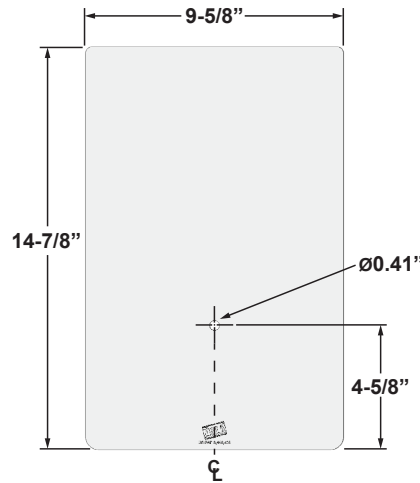
Technical Specifications

US Pat. 8,448,405 - ZZFA-AL BLK / ZZFA-AL MF

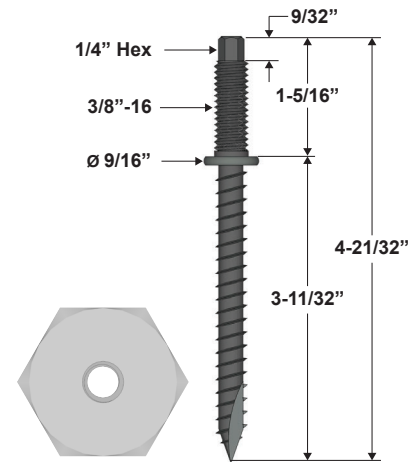
Zilla® Zip® Flashing Assembly



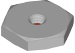




Zilla® Zip® Flashing Dimensions¹



Zilla® Zip® Bolt and Zilla® Zip® Bolt with Gland Nut (top view)



Zilla® Zip® Flashing Assembly is available in Mill Finish (ZZFA-AL MF) or Black (ZZFA-AL BLK) and includes: Gland Nut, Zip® Bolt, Encapsulated Gland Washer and Flashing.

PRODUCT	DESCRIPTION	MATERIALS	SIZE	WEIGHT	COLOR
 Zilla® Gland Nut	Gland Nut threads on top of the Zip® Bolt.	Aluminum	1-3/8" Hex, 3/8"-16 thru	0.11 lb.	Silver
 Zilla® Zip® Bolt	Zip® Bolt installs into the support member of the roof.	316 SS, with non corrosive coating	3/8"-16 x 1.0" 3-1/4" lag, 4-5/8" overall	0.13 lb.	Black
 Encapsulated Gland Washer	Encapsulated Gland Washer in the compression zone.	High performance polymer	1" O.D. x 3/8" I.D. x .094" Thick	< 0.1 lb.	Red / Black
 Zilla® Zip® Flashing	.024" thick; 24 ga.	Aluminum	14-7/8" L x 9-5/8" W	0.65 lb.	Black / Silver
 Stainless Steel Washer	Stainless Steel Washer in the compression zone.	Stainless Steel	3/4" O.D. x 3/8" I.D. x .062" Thick	< 0.1 lb.	Silver

Allowable Withdrawal Loads for Lag Screws in Seasoned Wood

Pounds per inch of penetration of threaded part.²

Please reference project materials and withdrawal loads and use specific hardware designed for your project.

LUMBER TYPE	SOUTHERN PINE	DOUGLAS FIR LARCH	SPRUCE-PINE-FIR
Specific Gravity: G	0.55	0.50	0.42
Allowable withdrawal load for Ø 3/8" screw (lb/in)	394	342	263

¹ All dimensions are approximate. ² Information for reference only. Refer to Load Data sheet for more detailed specifications.

Zilla® So Simple It's ScarySM

77 Waneka Pkwy • Lafayette, CO 80026 • 720.880.6700 • fax 303.664.1268 • zillarac.com

 MADE IN USA  MADE WITH RECYCLED MATERIAL © 2016 Zilla Corporation. All rights reserved.